

April 2013, Kottlingbrunn/Austria

PRESS RELEASE

WITTMANN BATTENFELD Competence Days 2013

The *MacroPower E Hybrid* – a compact, energy-efficient, high-performance machine from WITTMANN BATTENFELD

The MacroPower E Hybrid combines the advantages of a large servo-hydraulic machine with those of an all-electric injection unit and stands out by its powerful, extremely precise injection performance.

The *MacroPower E Hybrid* consists of a modern, servo-hydraulic 2-platen clamping unit which has been combined with an all-electric, high-performance injection unit. This has made it possible to build an extremely compact large machine with a minimal footprint, which simultaneously offers maximum precision and energy efficiency together with high injection speeds.

In the *MacroPower E Hybrid*, the clamping and nozzle movements are powered by a servo-hydraulic drive. Here, a highly dynamic servo motor is used instead of a three-phase motor with constant speed. The hydraulic pump used is an electrically adjustable axial piston pump with variable displacement volume, laid out to respond to the demand of the clamping unit. In this system, the delivery is controlled by the motor speed and the pivoting angle of the hydraulic pump. In this way, the optimal relationship between the pump's degree of efficiency and the motor speed is calculated for every operating point and provided by the machine's control system. This enables substantial energy savings compared to conventional drive systems.

The ejection movement is also powered by a servo-electric drive in this machine, so that extremely precise, sensitive settings can be achieved as well as highly dynamic movements.

The injection side of the *MacroPower E Hybrid* features an all-electric, high-performance injection unit with injection speeds of up to 450 mm/sec. Extreme dynamism, precision and energy efficiency enable the production of high-precision plastic parts with minimal energy consumption. This makes the machine the ideal

choice for molds with high numbers of cavities from the packaging and electronics sectors, as well as for thin-walled, high-precision technical parts.

At the Competence Days of the WITTMANN Group in Kottlingbrunn on 24 and 25 April 2013, a *MacroPower E Hybrid* will be shown for the first time. It is a *MacroPower E 450/2250 Hybrid* producing packaging parts with a 64-cavity mold..

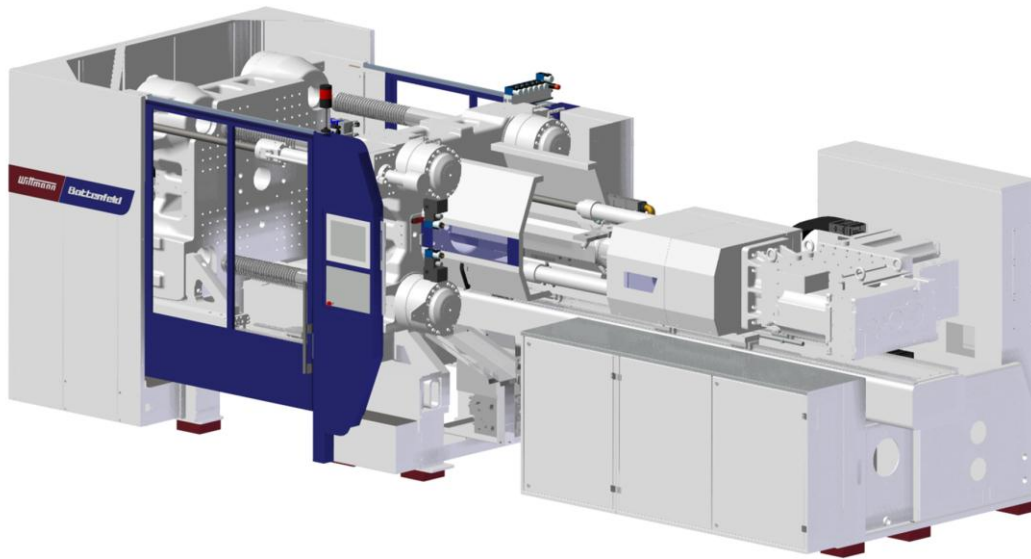


Fig: A *MacroPower E 450/2250* will be on display at the Competence Days of the Wittmann Group.

WITTMANN BATTENFELD

WITTMANN BATTENFELD, a company of the WITTMANN group based in Kottlingbrunn, Austria is a leading manufacturer of injection molding machines for the plastics industry. With its own sales and service companies as well as representations in about 60 countries, WITTMANN BATTENFELD provides optimal support to its customers in all matters concerning injection molding technology. Its innovative strength, highest precision and strong focus on maximum customer benefit make WITTMANN BATTENFELD a valuable partner for its customers.

Contact:**WITTMANN BATTENFELD GmbH**

Wiener Neustädter Strasse 81

A-2542 Kottlingbrunn / Austria

Tel.: +43 2252 404-1400

Fax: +43 2252 404-991400

gabriele.hopf@wittmann-group.com

www.wittmann-group.com

WITTMANN Kunststoffgeräte GmbH

Lichtblaustrasse 10

A-1220 Vienna / Austria

Tel.: +43 1 250 39-0

Fax: +43 1 259 71 70

bernhard.grabner@wittmann-group.com

www.wittmann-group.com